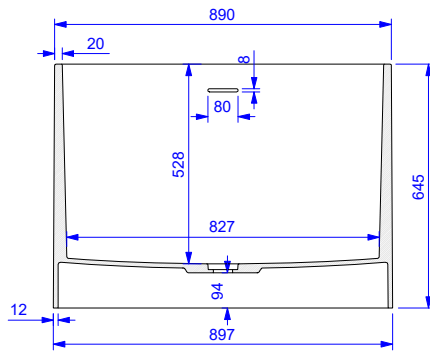
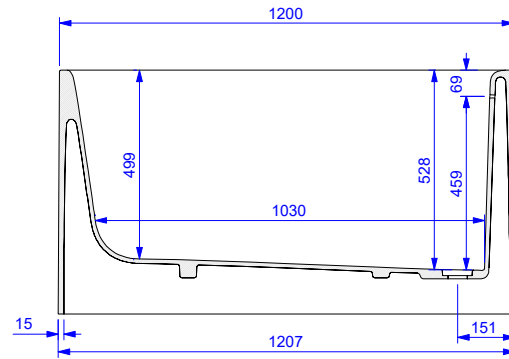


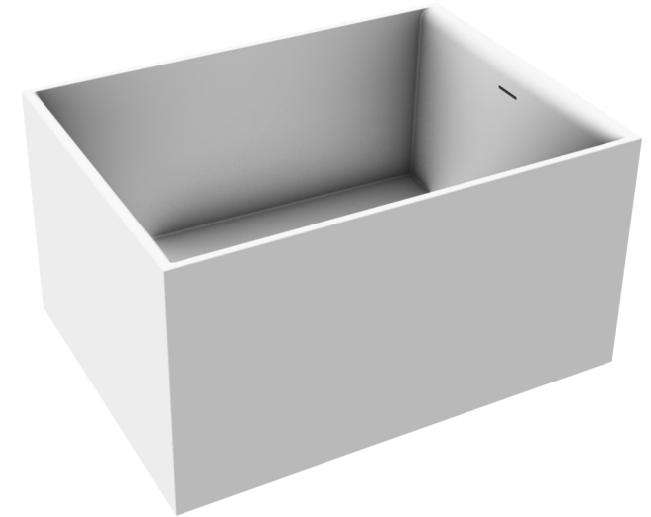
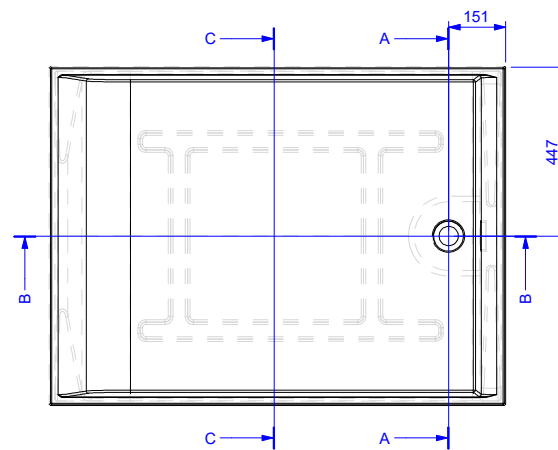
section CC



section AA



section BB



DRAWN Maurizio Amato	2022-07-14	<b>aquatica</b> PLUMBING		
CHECKED		TITLE		
QA		<b>CLAIRE BATHTUB by AQUATICA</b>		
APPROVED		SIZE	DWG NO	REV
		<b>C</b>		<b>V02</b>
		SCALE		SHEET 1 OF 1